

### Features and Highlights

- Surface fitting or fits on standard wall plate
- Optional low profile adjustment knob (1k to 11k ohm)
- Optional override button and status LEDs
- Optional fan control switch (off, low, medium, high, and automatic)

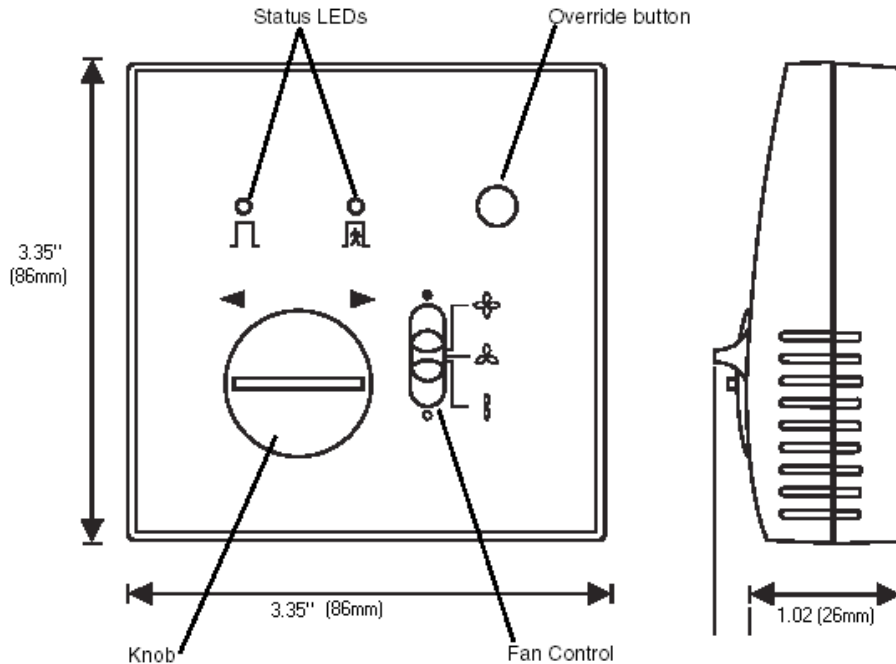


The Trend space temperature sensor is a wall-mounted temperature sensor in a low-profile enclosure designed for good thermal response.

The temperature sensor includes several optional features: low-profile adjustment knob for setpoint adjustment, a pushbutton for occupancy override, two LEDs to indicate occupancy status, and a five-way switch for fan control. These options are available in various combinations.

## Technical Data

- **Dimensions** 3.35" (86mm) x 3.35" (86mm) x 1.02" (26mm).
- **Connections** 1-part screw terminals for 14–20 AWG cross-section area (0.5–2.5mm<sup>2</sup>) cable.
- **Environmental** 14–122°F (-10–50°C). 0–90% RH, non-condensing.
- **Ratings** Listed Underwriters Laboratory for accessory to Enclosed Energy Management Equipment under the UL Standard for Safety 916. U.S. certification.



## Ordering Information

Product number	Description
SENTE-300100100	TB/TS - Space Temperature Sensor
SENTE-300100120	TB/TS/BOX 20 - Space Temperature Sensor (Box of 20)
SENTE-300100200	TB/TS/K - Space Temperature Sensor + Knob
SENTE-300100220	TB/TS/K/BOX 20 - Space Temperature Sensor + Knob (Box of 20)
SENTE-300100300	TB/TS/KO - Space Temperature Sensor + Knob + Override Push Button
SENTE-300100400	TB/TS/OS - Space Temperature Sensor + Override Push Button + Status LED
SENTE-300100500	TB/TS/KOS - Space Temperature Sensor + Knob + Override Push Button + Status LED
SENTE-300100600	TB/TS/KOF - Space Temperature Sensor + Knob + Override Push Button + fan speed switch
SENTE-300100700	TB/TS/KOSF - Space Temperature Sensor + Knob + Override Push Button + Status LED + fan speed switch
SENTE-300100800	TB/TS/KE - Space Temperature Sensor + Knob + Volt Free Contact Push Button
SENTE-300100900	TB/TS/KEF - Space Temperature Sensor + Knob + Volt Free Contact Push Button + Fan Speed Select

## Trend Control Systems

6670 185th Avenue NE, Redmond, Washington 98052, USA. Tel: (425) 897-3900, Fax: (425) 869-8445 [www.trend-americas.com](http://www.trend-americas.com)

©2006 Honeywell International. All rights reserved.

LTTT-SPACE-SENSOR Rev. 0004

2

TB/TS Product Information TL200968 Issue 1/A 09/11/06